

Nicab Maxi

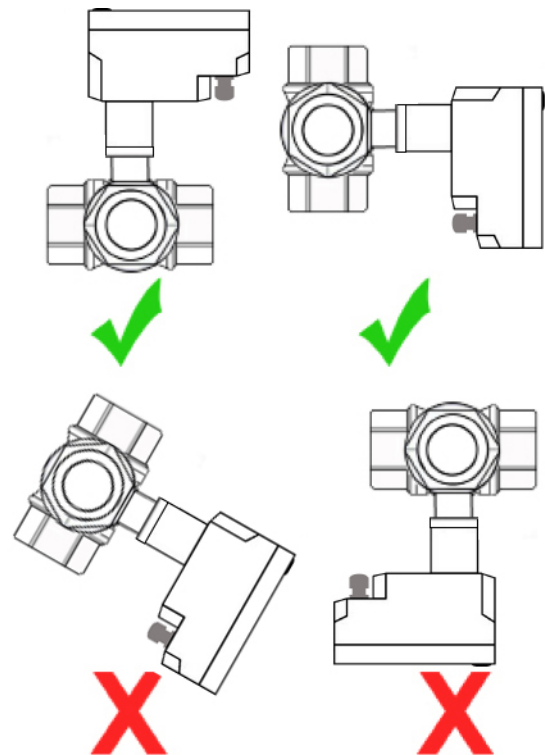
Installation

When delivered, port 3 on the valve is closed and the red light is on (indicating closed position).

Port 2 is always open, meaning it should be used as inlet or outlet.

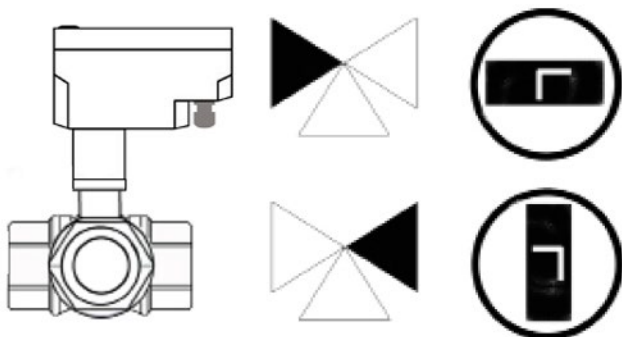
The valve should always be installed with the actuator in an upright position or along the horisontalline. The valve should NEVER be installed with the actuator facing down as shown in the picture.

The valve is not to be used in enviroments with a humidity above 90% rf.
If the valve is placed outside (not recommended) some form of protection must be used to cover the valve.

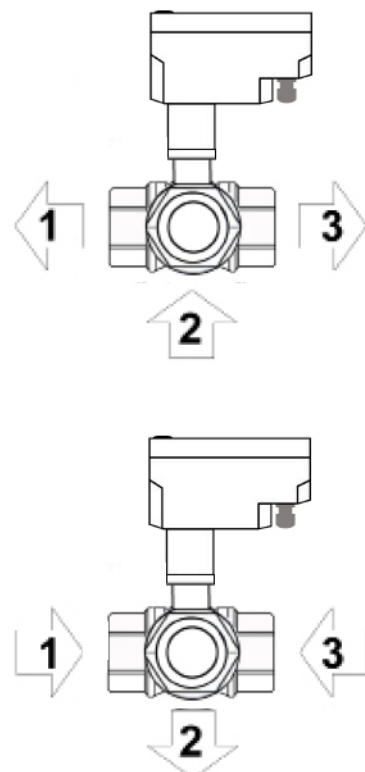


Stem setting

On the stem of the valve there is an L-figure (on 3-way valves). The points of the L is facing the open ports. When delivered the L is pointing at port 1 & 2. That means that port 3 is closed.



Flow direction



Electrical wiring 230V

1 = Neutral (N)

2 = Phase (L1)

3 = Thermostat

4 = Ground

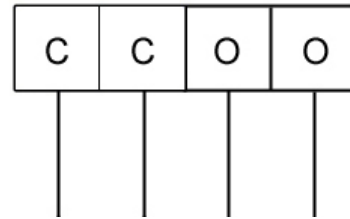
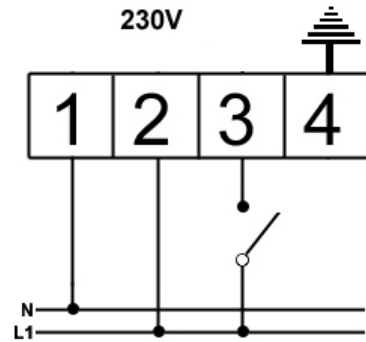
1 and 2 should always be connected (red light is on). When 3 is connected the valve opens and the blue light is turned on.

Electrical wiring is the same for the 24V version.

Potential free contacts

CC is used to receive a signal back in closed position.

OO is used to receive a signal back in open position.



Supply connection

